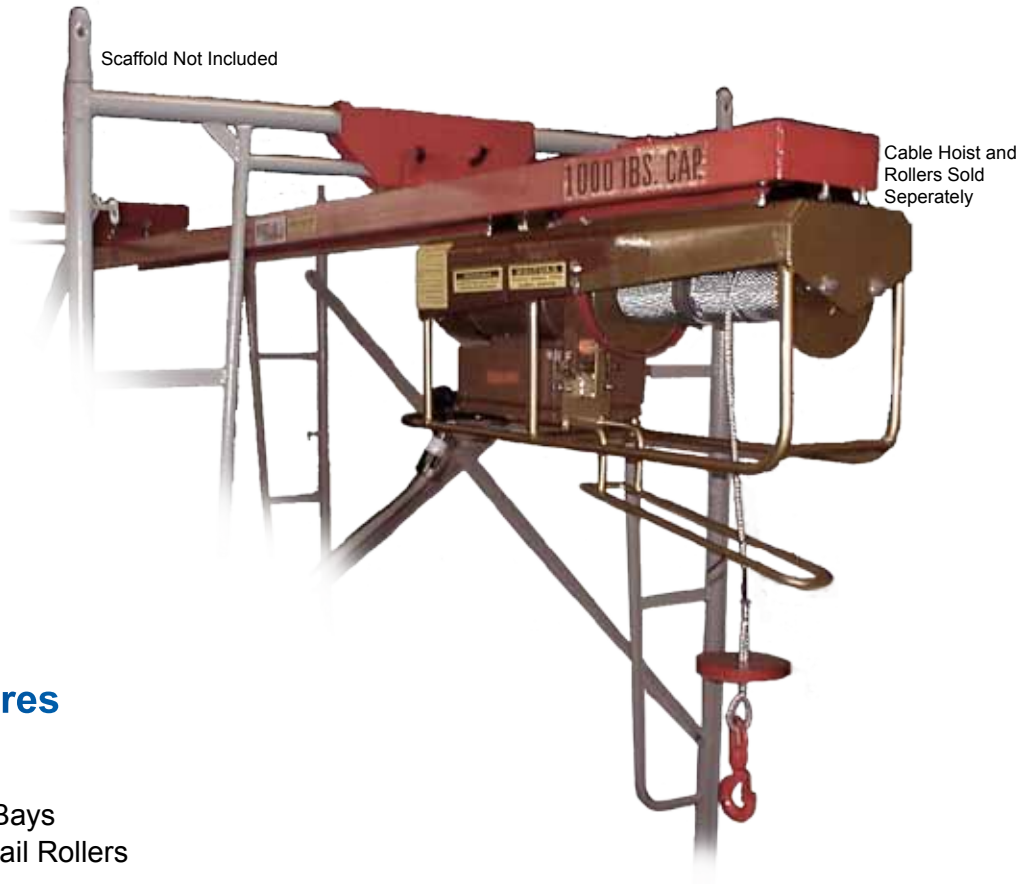


# SCAFFOLD MONORAIL CABLE HOIST MOUNTING

*Get the most use out of your hoist with our*  
**LIFTING ACCESSORIES**



## Standard Features

- 1,000 lbs Capacity
- 3-1/2' Overhang
- Fits 7' or 8' Scaffold Bays
- Use with HTH Monorail Rollers

Moving material from ground level to scaffold levels can be a complicated, time consuming and hazardous task. The Scaffold Mounted Monorail (SMM) System provides a means of attaching your HTH hoist to a standard 7' or 8' scaffold A-Frame. This accessory utilizes monorail rollers attached to the hoist to allow for smooth, easy and safe movement of the hoist and material. PMR rollers are required and not included. This accessory is for material use only.



For more information contact us at:

**1-800-451-5053**

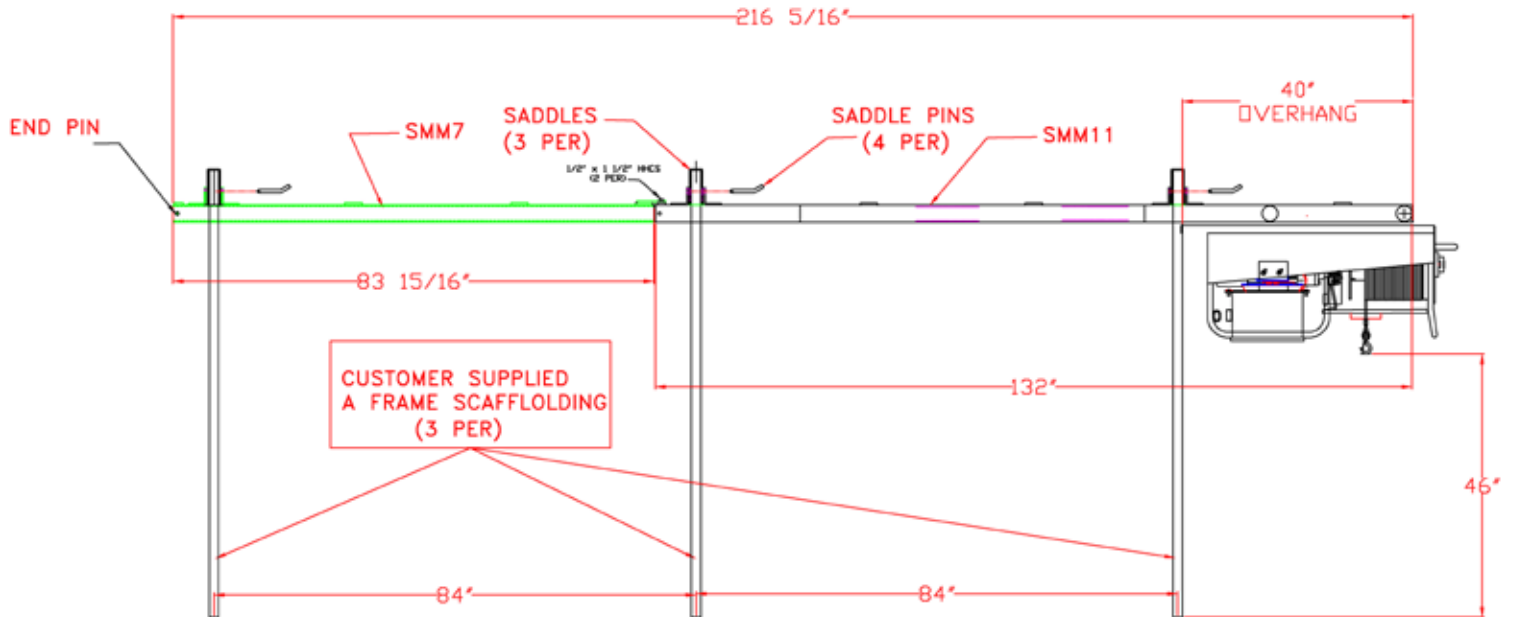
Ph: 321-733-3387 Fx: 321-733-9433

360 East Drive, Melbourne, FL 32904, USA

sales@hi-techhoist.com www.hi-techhoist.com

# SCAFFOLD MONORAIL CABLE HOIST MOUNTING

## SMM-11 DIMENSIONS (for 7' Bays)



*Drawing shown as SMM-11 with optional SMM-7 Monorail Extension.*

### **SMM-11**

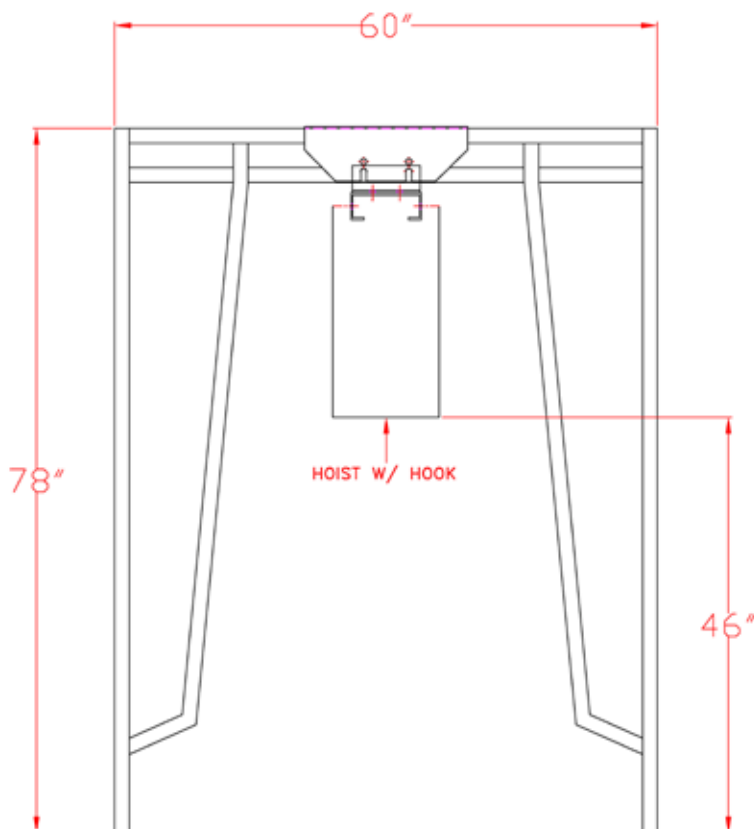
The SMM-11 fits standard 7' A-Frame Scaffold Bays. This monorail provides up to a 40" overhang.

### **SMM-7**

The SMM-7 is used to extend the capabilities of the SMM-11. *The SMM-7 creates a continuous monorail to allow the hoist and load to roll the entire length of your scaffolding.*

### **SMM-12**

The SMM-12 is an extended version of the SMM-11 which can adapt to fit 7' or 8' Bays. The rear of the monorail has a 1' (one foot) extension. The overhang for the SMM-12 remains 40". *(SMM-7 is not adaptable to the SMM-12)*



*Scaffold frames and hoist shown are not included. Monorail and scaffolding must be anchored and have adequate ballast for safe operation.*